

ChargePoint® Express Plus with Power Link 2000

A flexible DC fast charging platform that grows with you.



Express Plus Specifications

Express Plus Power Module

Express Plus Power Module Output	
Max Output Power	40 kW
Max Output Current	100 A
Power Conversion Efficiency	Up to 96%
Power Factor	0.99 at full load

Express Plus Power Module Specification	
Power Module Dimensions	See diagrams below
Power Module Weight	45 kg (98.5 lb)
Power Module Cooling	Liquid-Cooled Technology
Harmonics	iTHD < 5% (Complies with IEEE 519)

Express Plus Power Block

Express Plus Power Block Input	
Input Rating	3-phase, 400-480Y VAC, 310-260 A 50/60 Hz (200 kW) Optional: 3-phase, 400-480Y VAC, 255-210 A 50/60 Hz (160 kW)
Wiring	L1, L2, L3, Earth
Short Circuit Current Rating	65 kA

Express Plus Power Block Output	
Max Output Power	200 kW Optional: 160 kW
Output Voltage, Charging	100 to 1000 VDC
Max Current per Output	350 A, 500 A

ChargePoint, Inc. reserves the right to alter product offerings and specifications at any time without notice, and is not responsible for typographical or graphical errors that may appear in this document.

Number of Stations Served	One Power Block can serve up to 2 Power Link stations. Additional Power Blocks can be added to serve more stations or increase power output.
Max Power Modules per Power Block	5

Express Plus Power Block Specifications	
Power Block Dimensions	See diagrams below
Power Block Weight	455 kg (1000 lb) without Power Modules
Power Block Enclosure Rating	Type 3R, IP56, IK10

Express Plus Power Link 2000

Express Plus Power Link Output	
Max Output Power per Connector	Up to 1.2 MW, dependent on cable amperage and Power Block configuration
Output Voltage, Charging	Megawatt Charging System (MCS) Phase 1: 100 to 1000 VDC Phase 2: up to 1250 VDC Other Connector types: 100 to 1000 VDC
CCS1 Max Output Current	500 A with liquid cooled cable
CCS2 Max Output Current	500 A with liquid cooled cable
North American Charging Standard (NACS) Max Output Current	500 A with Omni Port
CHAdeMO Max Output Current	200 A
MCS Max Output Current	Phase 1: 1200 A with liquid cooled cable Phase 2: 3000 A with liquid cooled cable

ChargePoint, Inc. reserves the right to alter product offerings and specifications at any time without notice, and is not responsible for typographical or graphical errors that may appear in this document.

Express Plus Power Link Specifications	
Station Dimensions	See diagrams below
Station Footprint	See diagrams below
Station Weight	Approximately 209 kg (459 lb). Refer to Site Design Guide for more details.
Number of Connectors	Up to 2 connectors per station
Supported Connector Types	CHAdeMO, CCS1 (SAE J1772™ Combo), CCS2 (IEC 61851-23), SAE J3271 Megawatt Charging System for Electric Vehicles, NACS (Omni Port)
Cable Length	Non-MCS: Standard 5.8 m (19 ft) with Cable Management Kit (CMK)* MCS: 4.5m (14.7 ft) with cable management
Station Enclosure Rating	Type 3R, IP56, IK10 (Except credit card chip reader)
Mounting Type	Ground

*Horizontal reach to typical vehicle charging port is 3.76 m (12 ft 4 in) with standard cable

Express Plus Specifications

Functional Interfaces	
Indicators	Multicolor Status LEDs
LCD Display	Option 1: Full color 203 mm (8 in) interactive display with full motion video, UV protection and multi-language support Option 2: Full color 381 mm (15 in) interactive display with full motion video, UV protection and multi-language support
Authentication	RFID: ISO 15693, ISO 14443, NEMA EVSE 1.2-2015 (UR) Virtual RFID NFC (Tap to Charge) Contactless credit card Virtual contactless credit card Apple Pay & Google Pay EMV chip credit card (available on -CHIP models only) Remote: Mobile App and in vehicle dash (If supported by vehicle) ISO 15118-2, Plug&Charge

ChargePoint, Inc. reserves the right to alter product offerings and specifications at any time without notice, and is not responsible for typographical or graphical errors that may appear in this document.

Connectivity Features	
Local Area Network	2.4 GHz and 5 GHz WiFi (802.11 b/g/n)
Wide Area Network	4G LTE
Supported Communication Protocols	OCPP 2.0.1
Service and Maintenance	Remote system monitoring, diagnostic, and proactive maintenance

Safety Ratings & Protocol	
Vehicle Communication	CHAdeMO: JEVS G104 over CAN CCS1/2: ISO 15118-2, ISO 15118-3, DIN 70121 SAE J1772, IEC61851-23 MCS: SAE J3271
Plug-Out Detection	Power terminated per JEVS G104 (CHAdeMO), SAE J2931 (CCS1) and IEC 61851-23 (CCS2)
Compliance	cUL and UL listed. Complies with UL 2202, UL 2231-1, UL 2231-2 CE and UKCA marked. Complies with IEC 61851-1 and IEC 61851-23 CTEP, Energy Star MCS: UL pending
Surge Protection	Tested to IEC 61000-4-5, Level 5 (6 kV @ 3,000 A)
EMC Compliance	North America: FCC part 15 Class B Europe: EN55011, EN55022, and IEC61000-6-3 Class B

ChargePoint, Inc. reserves the right to alter product offerings and specifications at any time without notice, and is not responsible for typographical or graphical errors that may appear in this document.

Generic Specifications	
Operational Altitude	< 3,000 m (9,800 ft)
Operating Temperature	-40°C to 50°C (-40°F to 122°F) with derating
Storage Temperature	-40°C to 70°C (-40°F to 158°F)
Operating Humidity	Up to 95% at 50°C (122°F) non-condensing
Metering	Eichrecht (In progress)
Buy America	Buy America (FTA & FHWA) options available upon request
Standard Warranty	Limited 2-Year Parts Warranty

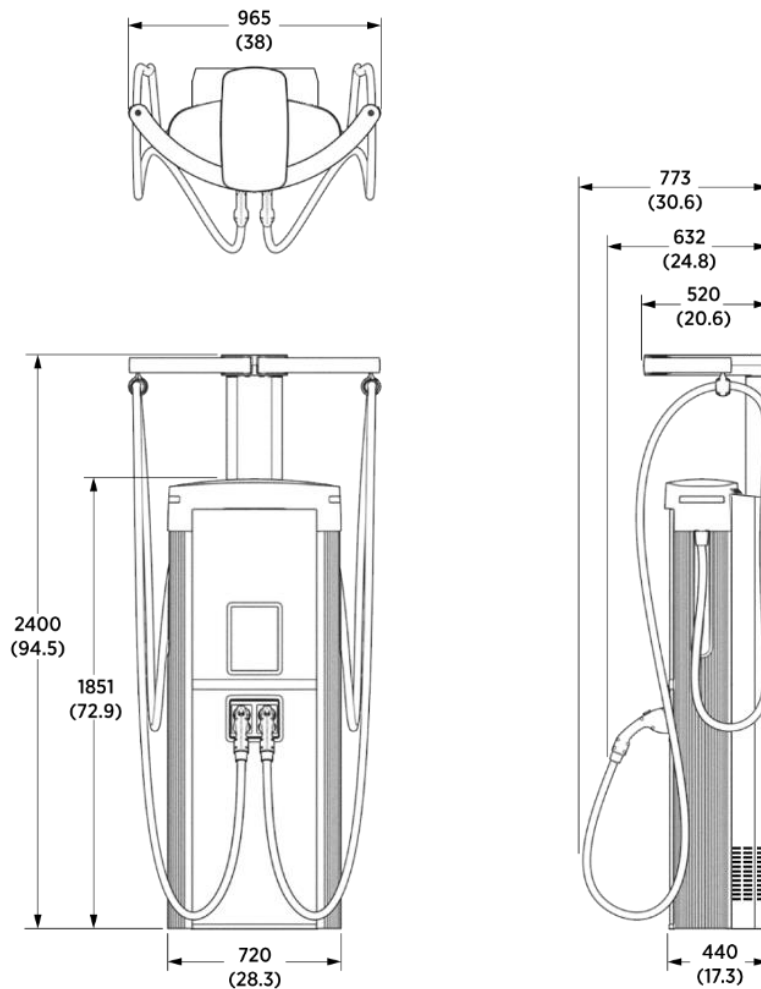
Energy Management Features	
Dynamic Power Management	Allows a fixed maximum power output per station or lets the system dynamically manage the power distribution per port
Remote Energy Management	Manage output power via the ChargePoint Admin Portal, API, and Open ADR 2.0b VEN

ChargePoint, Inc. reserves the right to alter product offerings and specifications at any time without notice, and is not responsible for typographical or graphical errors that may appear in this document.

Architectural Drawings

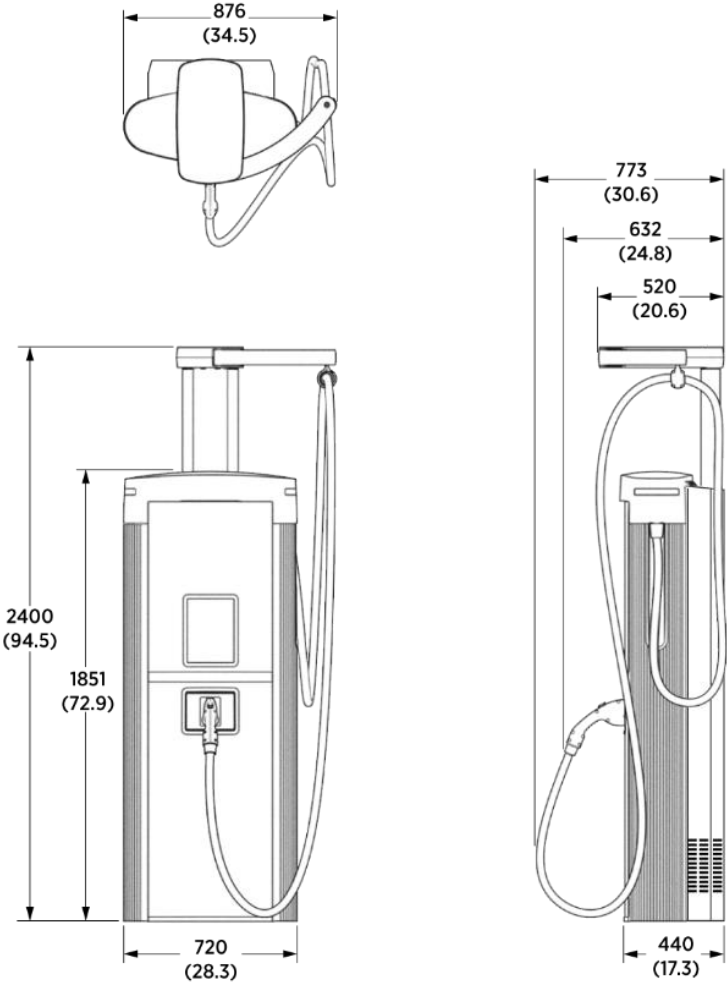
Note: Images are not to scale. Measurements appear in metric units (mm), followed by imperial equivalents (inches).

Express Plus Power Link 2000, with liquid-cooled cable, dual connectors



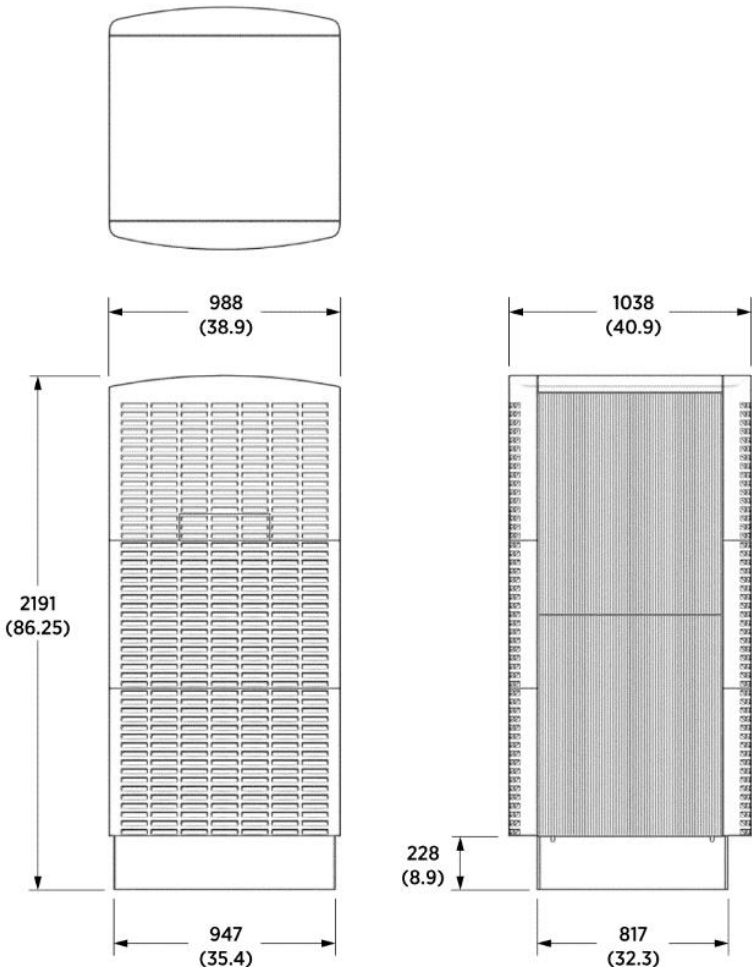
ChargePoint, Inc. reserves the right to alter product offerings and specifications at any time without notice, and is not responsible for typographical or graphical errors that may appear in this document.

Express Plus Power Link 2000, with liquid-cooled cable, single connector



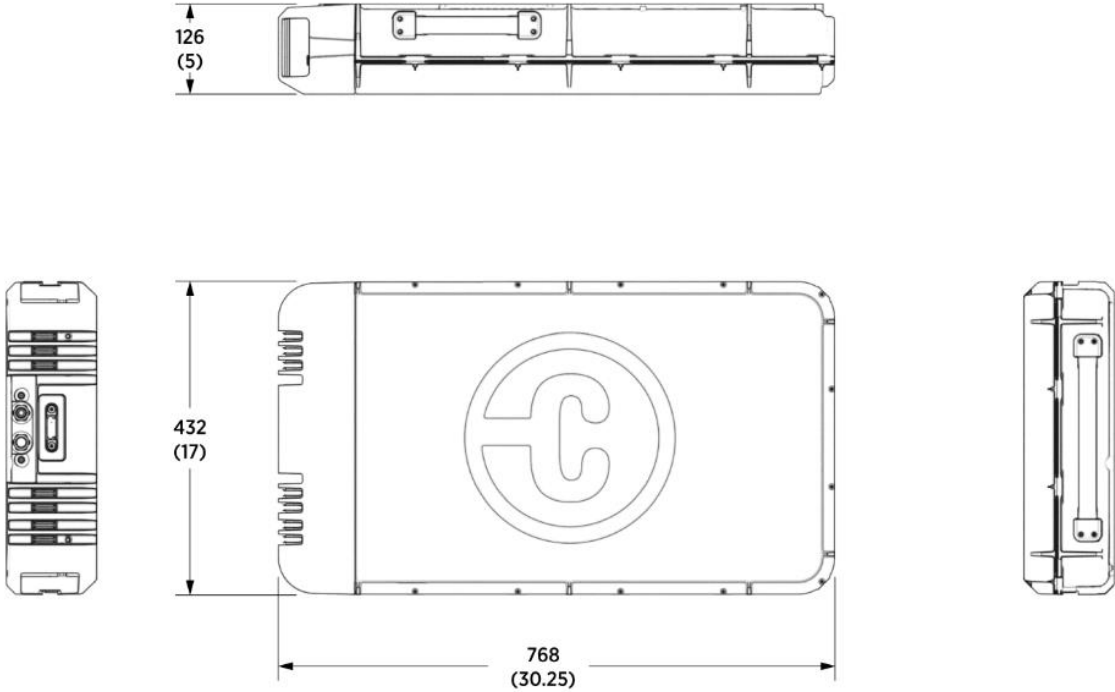
ChargePoint, Inc. reserves the right to alter product offerings and specifications at any time without notice, and is not responsible for typographical or graphical errors that may appear in this document.

Express Plus Power Block



ChargePoint, Inc. reserves the right to alter product offerings and specifications at any time without notice, and is not responsible for typographical or graphical errors that may appear in this document.

Express Plus Power Module



ChargePoint, Inc. reserves the right to alter product offerings and specifications at any time without notice, and is not responsible for typographical or graphical errors that may appear in this document.

Contact Us

ChargePoint, Inc.
240 East Hacienda Avenue
Campbell, CA 95008-6617 USA

+1.408.841.4500 or
+1.877.370.3802 US and Canada toll-free

Visit chargepoint.com

Call +1.408.705.1992

Email sales@chargepoint.com

Copyright © 2024 ChargePoint, Inc. All rights reserved. CHARGEPOINT is a U.S. registered trademark/service mark, and an EU registered logo mark of ChargePoint, Inc. All other products or services mentioned are the trademarks, service marks, registered trademarks or registered service marks of their respective owners. August 2024



ChargePoint, Inc. reserves the right to alter product offerings and specifications at any time without notice, and is not responsible for typographical or graphical errors that may appear in this document.