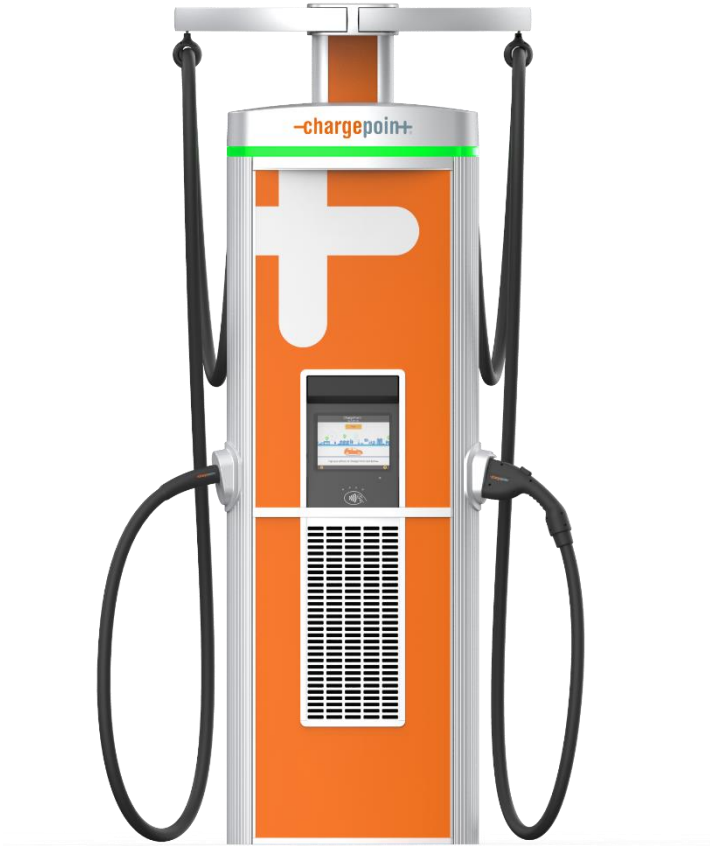


ChargePoint[®] Express 280



ChargePoint, Inc. reserves the right to alter product offerings and specifications at any time without notice and is not responsible for typographical or graphical errors that may appear in this document.

Express 280

Express 280 Specifications

Station Electrical Input	
Input Rating	North America: 3-phase, 480WYE VAC (91.5 kVA), 100 A, 60 Hz
Wiring	L1, L2, L3, Earth
Short Circuit Current Rating	65 kA

Station Electrical Output	
Max Output Power	80 kW
Output Voltage, Charging	100 to 1000 VDC
Max Output Current	CHAdeMO (North America): 140 A CCS1: 200 A North American Charging Standard (NACS): 200 A
Power Modules per Station	2

Paired Station Electrical Output	
Paired Max Output Power	160 kW
Output Voltage, Charging	100 to 1000 VDC
Paired Max Output Current	CHAdeMO (North America): 140 A CCS1: 250 A NACS: 250 A
Power Modules per Pair	4

Power Module Output	
Max Output Power	40 kW
Max Output Current	100 A
Power Conversion Efficiency	Up to 96%
Power Factor	0.99 at full load

Power Module Specifications	
Power Module Dimensions	760 mm H x 430 mm W x 130 mm D (2 ft 6 in x 1 ft 5 in x 5 ft)
Power Module Weight	45 kg (98.5 lb)
Power Module Cooling	Liquid Cooling Technology
Harmonics	iTHD < 5% (Complies with IEEE 519)

ChargePoint, Inc. reserves the right to alter product offerings and specifications at any time without notice and is not responsible for typographical or graphical errors that may appear in this document.

Functional Interfaces	
Number of Connectors	Up to two connectors per station
Supported Connector Types	CHAdEMO CCS1 (SAE J1772™ Combo) NACS
Cable Length	Standard 5.4 m (18 ft) with Cable Management Kit (CMK)* Medium 7.5 m (24 ft) with Tall Cable Management Kit (CMK)*
LCD Display	Full-color 254 mm (10 in) display for driver interaction
Authentication	RFID: ISO 15693, ISO 14443, NEMA EVSE 1.2-2015 (UR) Tap to Charge (NFC on Apple & Android, contactless credit card) ISO 15118-2, Plug&Charge Remote: Mobile and in vehicle (if supported by vehicle)

* Horizontal reach to typical vehicle charging port: 3.76 m (12 ft 4 in) with Standard cable.

Connectivity Features	
Vehicle Safety Communication	CHAdEMO: JEVs G104 over CAN CCS1 and NACS: SAE J1772 over PLC
Plug-Out Detection	Power terminated per JEVs G104 (CHAdEMO), and SAE J2931 (CCS1)
Local Area Network	2.4 GHz and 5 GHz WiFi (802.11 b/g/n)
Wide Area Network	4G LTE
Supported Communication Protocols	OCPP 1.6J
Service and Maintenance	Remote system monitoring, diagnostic, and proactive maintenance

Safety and Operational Ratings	
Station Enclosure Rating	Type 3R
Station Impact Rating	IK10
Safety and Compliance	UL and cUL listed: Complies with UL 2202, UL 2231-1, UL 2231-2 Energy Star, CTEP
Station Surge Protection	Tested to IEC 6100-4-5, Level 5 (6 kV @ 3,000 A)
EMC Compliance	North America: FCC part 15 Subpart B Class A
Storage Temperature	-40°C to 50°C (-40°F to 122°F)
Operating Temperature	-40°C to 50°C (-40°F to 122°F) with derating
Operational Altitude	< 3,000 m (9,800 ft)
Operating Humidity	Up to 95% at 50°C (122°F) non-condensing

ChargePoint, Inc. reserves the right to alter product offerings and specifications at any time without notice and is not responsible for typographical or graphical errors that may appear in this document.

Generic Specifications	
Station Enclosure Dimensions	Standard CMK: 2,413 mm H x 712 mm W x 438 mm D (7 ft 11 in x 2 ft 4 in x 1 ft 4 in) Tall CMK: 3,048 mm H x 712 mm W x 438 mm D (10 ft x 2 ft 4 in x 1 ft 4 in)
Station Weight (without Power Modules)	250 kg (551 lb)
Buy America	Buy America (FTA) options available upon request
Standard Warranty	Limited 2-Year Parts Warranty

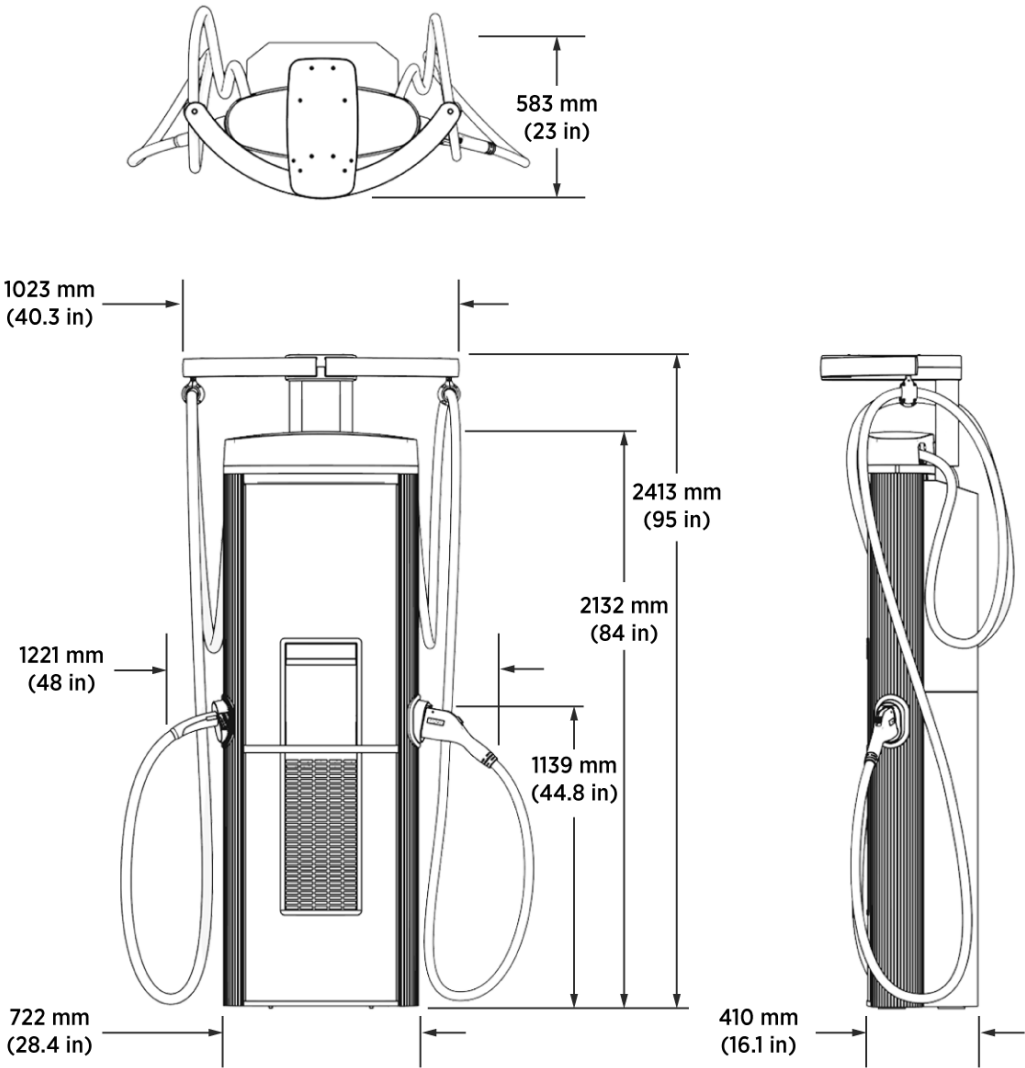
Energy Management Features	
Dynamic Power Management	Allows a fixed maximum power output per station or lets the system dynamically manage the power distribution per station
Remote Energy Management	Manage output power via the ChargePoint Admin Portal, API, and Open ADR 2.0b VEN

ChargePoint, Inc. reserves the right to alter product offerings and specifications at any time without notice and is not responsible for typographical or graphical errors that may appear in this document.

Architectural Drawings

Note: Images are not to scale. Measurements appear in metric units (mm), followed by imperial equivalents (inches).

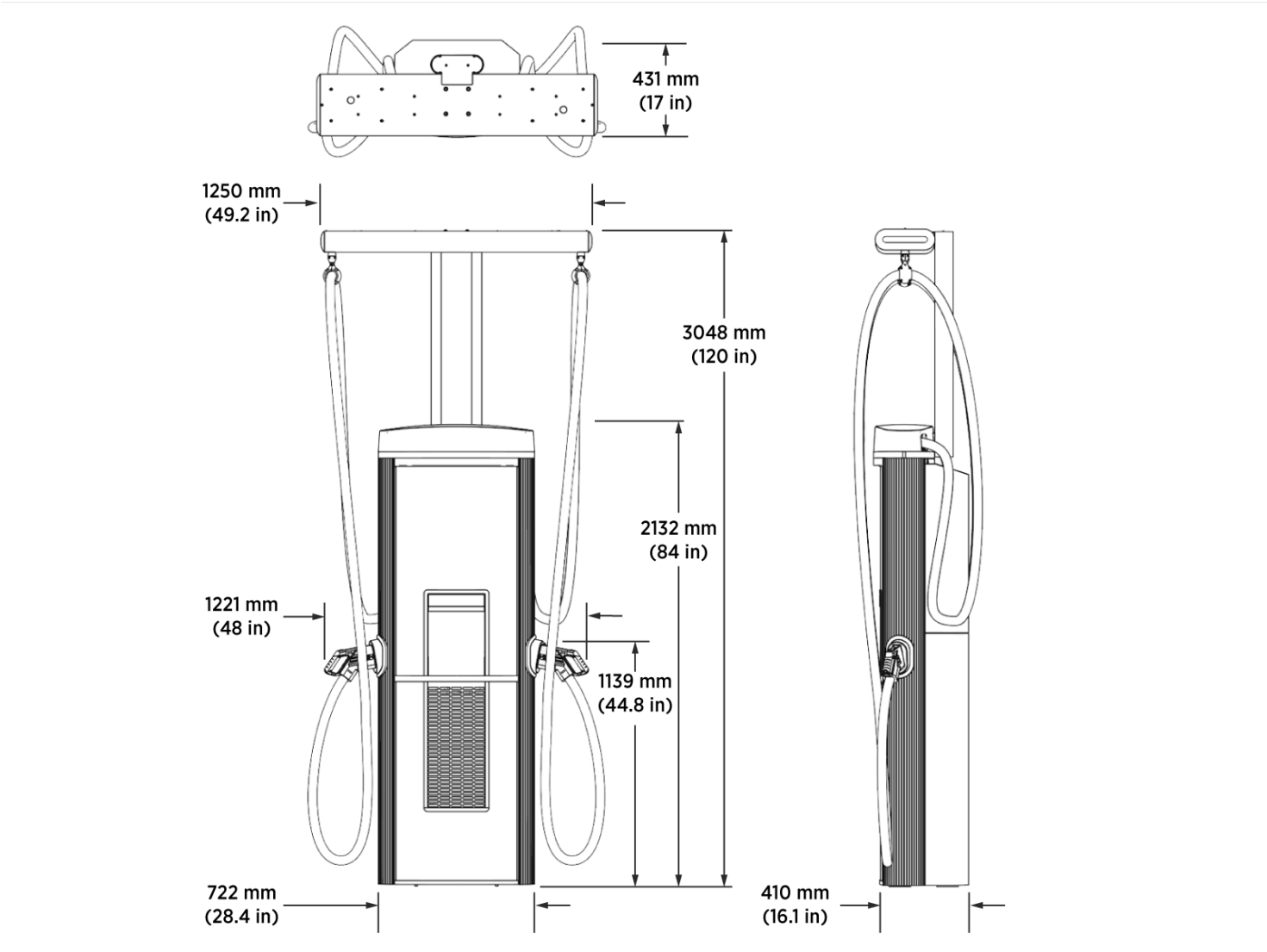
Express 280, with NACS and CCS1 connectors.



ChargePoint, Inc. reserves the right to alter product offerings and specifications at any time without notice and is not responsible for typographical or graphical errors that may appear in this document.

Note: Images are not to scale. Measurements appear in metric units (mm), followed by imperial equivalents (inches).

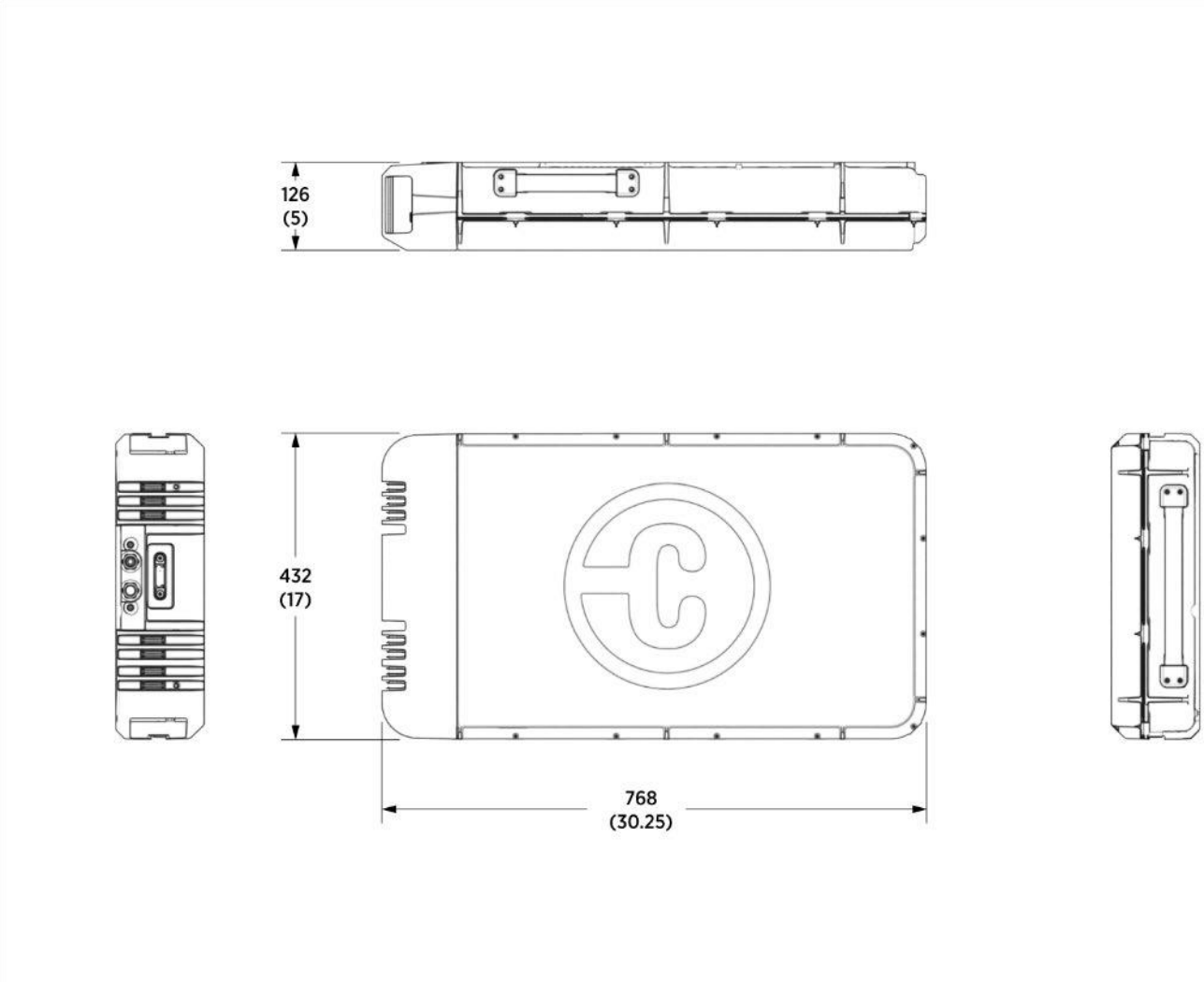
Express 280, with Tall CMK, and dual CCS1 connectors.



ChargePoint, Inc. reserves the right to alter product offerings and specifications at any time without notice and is not responsible for typographical or graphical errors that may appear in this document.

Note: Images are not to scale. Measurements appear in metric units (mm), followed by imperial equivalents (inches).

Express 280 Power Module





ChargePoint, Inc.
240 East Hacienda Avenue
Campbell, CA 95008-6617 USA
+1 408.841.4500 or +1
877.370.3802
US and Canada toll-free

Contact Us
Visit chargepoint.com
Email sales@chargepoint.com

©2013-2024 ChargePoint, Inc. All rights reserved. This material is protected by the copyright laws of the United States and other countries. It may not be modified, reproduced, or distributed without the prior, express written consent of ChargePoint, Inc. CHARGEPOINT is a US, UK, and EU registered trademark and service mark of ChargePoint, Inc. and cannot be used without the prior written consent of ChargePoint. Feb 2024



ChargePoint, Inc. reserves the right to alter product offerings and specifications at any time without notice and is not responsible for typographical or graphical errors that may appear in this document.